



PCORE
ELECTRIC

KV CLASS 46 kV **BIL** 250 kV **Uy** 29 kV

CURRENT RATING

400 AMP DRAW LEAD CONNECTION
1200 AMP BOTTOM CONNECTION

DWG. **CATALOG NUMBER** **GLAZE COLOR**

SD	B-89493	BROWN
SD	B-89493-70	LT. GRAY

DATE 11-23-93 **REV. DATE** 9-18-08

MAXIMUM ALTITUDE 10000 ft [3000 m]

NET WEIGHT 138 lb [63 kg]

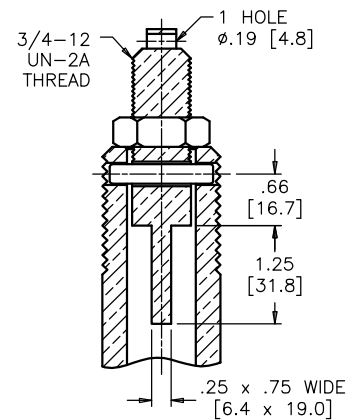
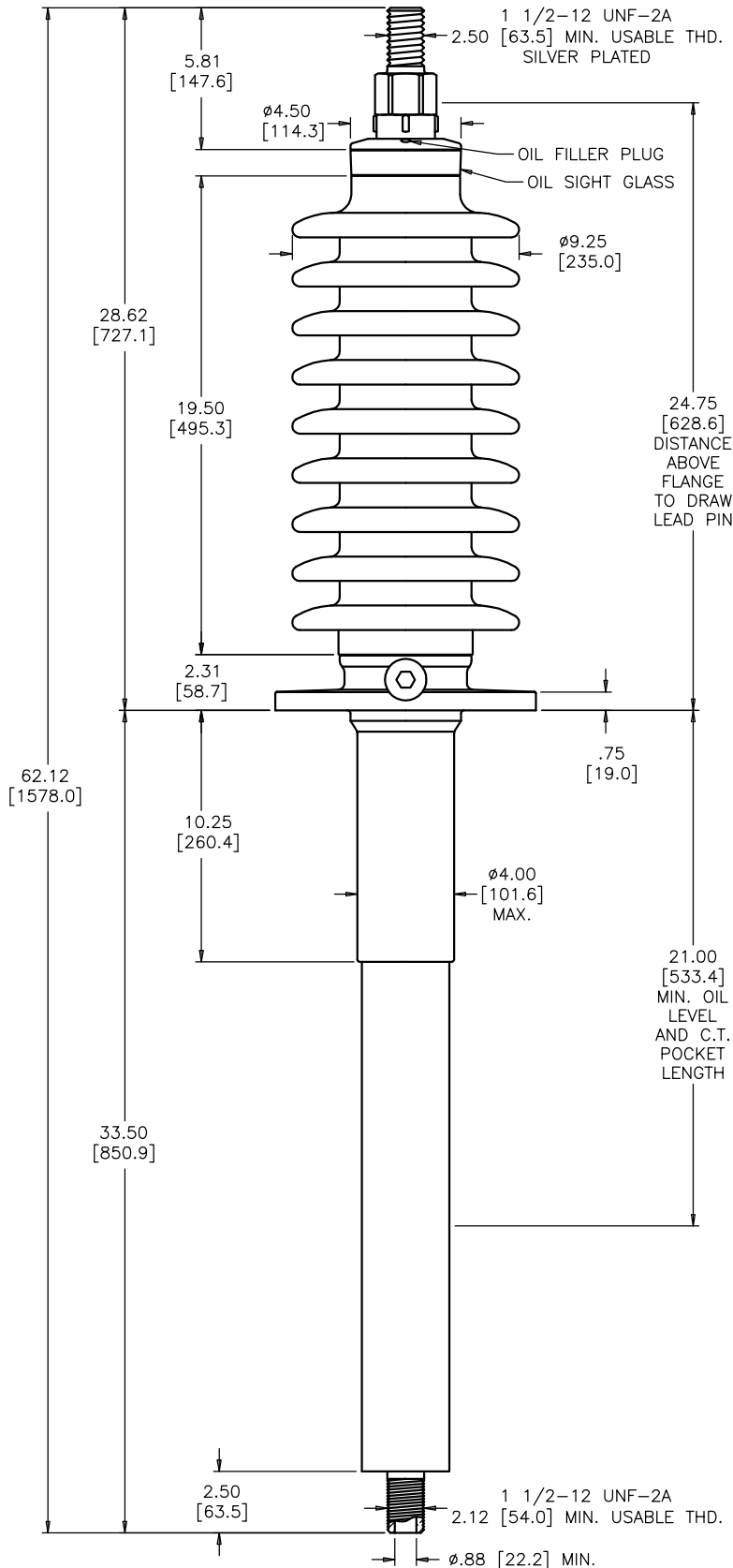
ANGLE OF INCLINATION FROM THE VERTICAL 0° TO 70°

MIN. CREEP 49.00 [1244.6] **MIN. STRIKE** 21.00 [533.4]

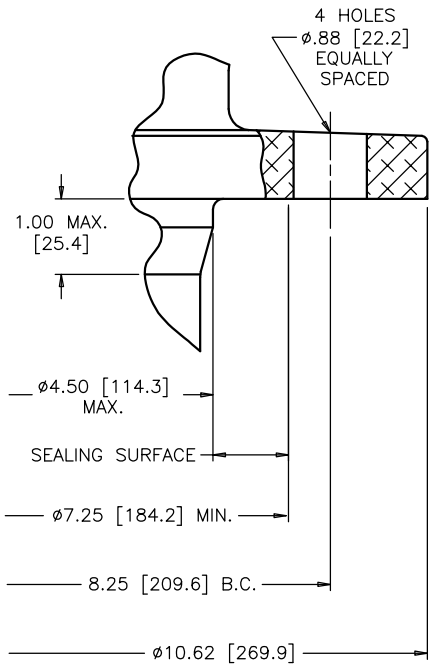
CREEP/Uy 1.69 [42.9] **STD.** IEEE C57.19.00/01

PCB CONTENT OF OIL IS LESS THAN 1 ppm

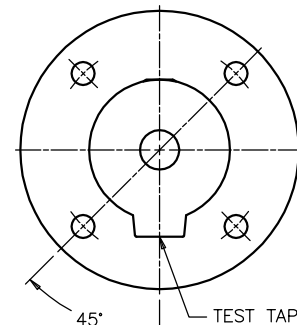
TITLE
PRC BUSHING



DRAW LEAD ASSEMBLY



MOUNTING FLANGE DETAIL



FLANGE ALIGNMENT DIAGRAM TOP VIEW

DIMENSIONS IN INCHES [MILLIMETERS]

REVISION REMOVED 55°C, TEMPERATURE GOVERNED BY IEEE STANDARD

SCALE 1/5

NOTE TO PURCHASER:
ALL SALES OF PCORE PRODUCTS ARE SUBJECT TO OUR STANDARD TERMS AND CONDITIONS AND THE LIMITED WARRANTIES THEREUNDER